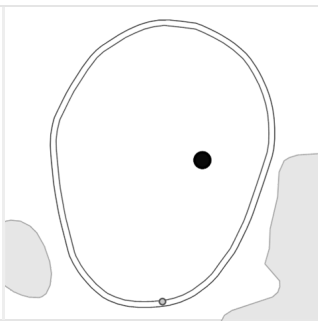
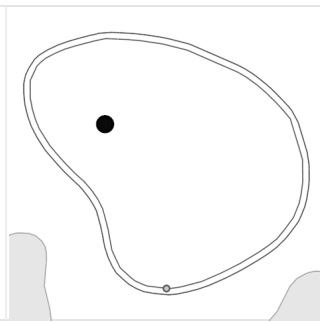


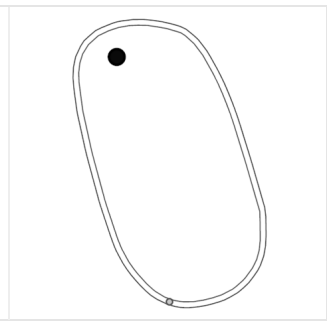
1  
**+0**  
D: 31  
16 R7

A diagram of a golf hole, hole 1, showing an oval-shaped green with a black dot representing the hole. The hole is positioned in the upper right quadrant of the green. A small circle at the bottom center of the green indicates the hole's location. The green is surrounded by a grey area representing the fairway or rough.

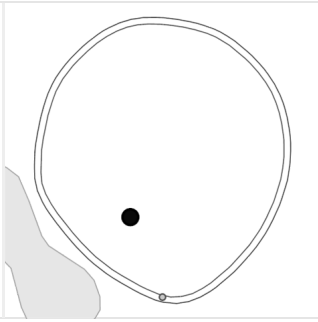
7  
**+4**  
D: 26  
17 L7

A diagram of a golf hole, hole 7, showing an irregularly shaped green with a black dot representing the hole. The hole is positioned in the upper left quadrant of the green. A small circle at the bottom center of the green indicates the hole's location. The green is surrounded by a grey area representing the fairway or rough.

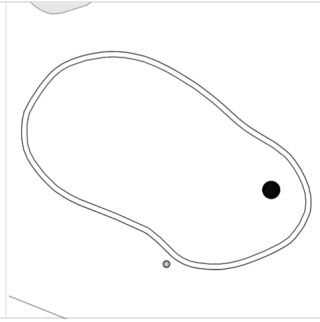
13  
**+12**  
D: 32  
28 L4

A diagram of a golf hole, hole 13, showing an elongated oval-shaped green with a black dot representing the hole. The hole is positioned in the upper left quadrant of the green. A small circle at the bottom center of the green indicates the hole's location. The green is surrounded by a grey area representing the fairway or rough.

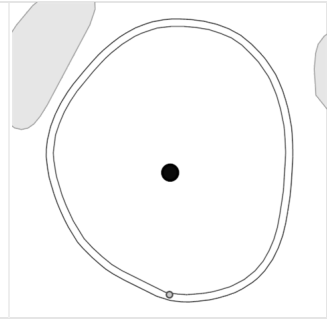
2  
**-6**  
D: 27  
8 L7

A diagram of a golf hole, hole 2, showing an oval-shaped green with a black dot representing the hole. The hole is positioned in the lower left quadrant of the green. A small circle at the bottom center of the green indicates the hole's location. The green is surrounded by a grey area representing the fairway or rough.

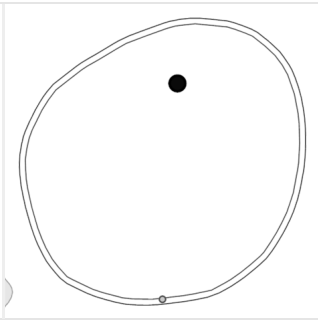
8  
**-4**  
D: 25  
9 R4

A diagram of a golf hole, hole 8, showing an irregularly shaped green with a black dot representing the hole. The hole is positioned in the lower right quadrant of the green. A small circle at the bottom center of the green indicates the hole's location. The green is surrounded by a grey area representing the fairway or rough.

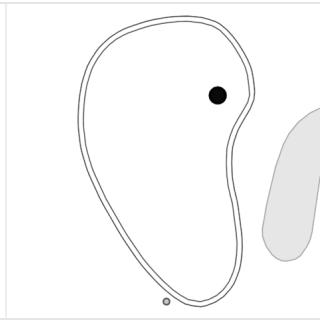
14  
**-1**  
D: 24  
11

A diagram of a golf hole, hole 14, showing an oval-shaped green with a black dot representing the hole. The hole is positioned in the center of the green. A small circle at the bottom center of the green indicates the hole's location. The green is surrounded by a grey area representing the fairway or rough.

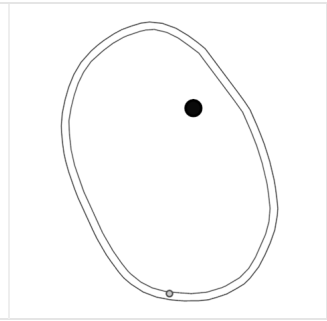
3  
**+9**  
D: 31  
24

A diagram of a golf hole, hole 3, showing an oval-shaped green with a black dot representing the hole. The hole is positioned in the upper center of the green. A small circle at the bottom center of the green indicates the hole's location. The green is surrounded by a grey area representing the fairway or rough.

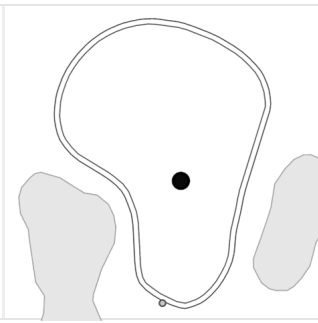
9  
**+8**  
D: 35  
26 R4

A diagram of a golf hole, hole 9, showing an irregularly shaped green with a black dot representing the hole. The hole is positioned in the upper right quadrant of the green. A small circle at the bottom center of the green indicates the hole's location. The green is surrounded by a grey area representing the fairway or rough.

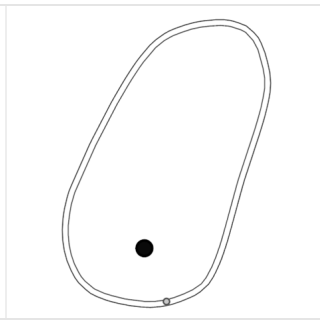
15  
**+5**  
D: 23  
16 R4

A diagram of a golf hole, hole 15, showing an oval-shaped green with a black dot representing the hole. The hole is positioned in the upper right quadrant of the green. A small circle at the bottom center of the green indicates the hole's location. The green is surrounded by a grey area representing the fairway or rough.

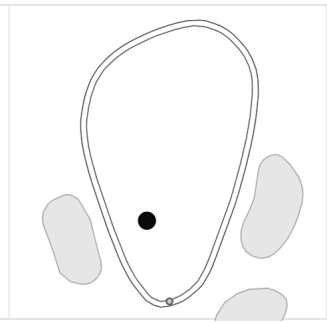
4  
**-2**  
D: 34  
15

A diagram of a golf hole, hole 4, showing an irregularly shaped green with a black dot representing the hole. The hole is positioned in the center of the green. A small circle at the bottom center of the green indicates the hole's location. The green is surrounded by a grey area representing the fairway or rough.


10  
**-10**  
D: 31  
6

A diagram of a golf hole, hole 10, showing an elongated oval-shaped green with a black dot representing the hole. The hole is positioned in the lower center of the green. A small circle at the bottom center of the green indicates the hole's location. The green is surrounded by a grey area representing the fairway or rough.

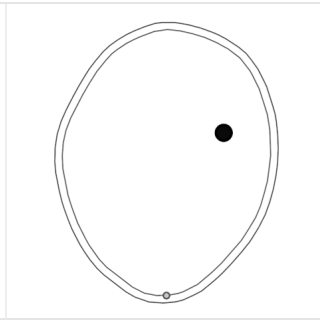
16  
**-6**  
D: 31  
9 L4

A diagram of a golf hole, hole 16, showing an irregularly shaped green with a black dot representing the hole. The hole is positioned in the lower left quadrant of the green. A small circle at the bottom center of the green indicates the hole's location. The green is surrounded by a grey area representing the fairway or rough.

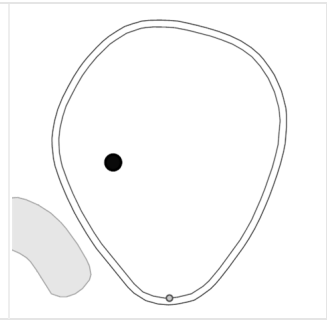
5  
**+3**  
D: 35  
20 L6

A diagram of a golf hole, hole 5, showing an elongated oval-shaped green with a black dot representing the hole. The hole is positioned in the upper left quadrant of the green. A small circle at the bottom center of the green indicates the hole's location. The green is surrounded by a grey area representing the fairway or rough.

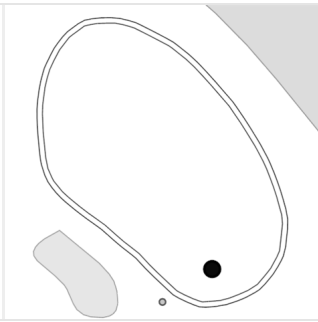
11  
**+3**  
D: 23  
14 R4

A diagram of a golf hole, hole 11, showing an oval-shaped green with a black dot representing the hole. The hole is positioned in the upper right quadrant of the green. A small circle at the bottom center of the green indicates the hole's location. The green is surrounded by a grey area representing the fairway or rough.

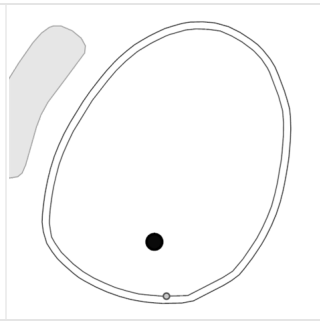
17  
**+0**  
D: 26  
13 L5

A diagram of a golf hole, hole 17, showing an oval-shaped green with a black dot representing the hole. The hole is positioned in the upper left quadrant of the green. A small circle at the bottom center of the green indicates the hole's location. The green is surrounded by a grey area representing the fairway or rough.

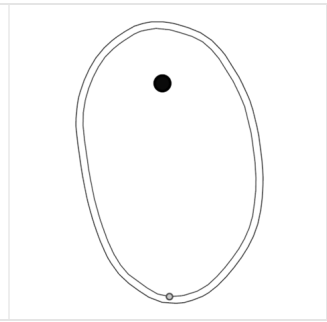
6  
**-13**  
D: 34  
4 R7

A diagram of a golf hole, hole 6, showing an irregularly shaped green with a black dot representing the hole. The hole is positioned in the lower right quadrant of the green. A small circle at the bottom center of the green indicates the hole's location. The green is surrounded by a grey area representing the fairway or rough.

12  
**-7**  
D: 25  
5

A diagram of a golf hole, hole 12, showing an oval-shaped green with a black dot representing the hole. The hole is positioned in the lower center of the green. A small circle at the bottom center of the green indicates the hole's location. The green is surrounded by a grey area representing the fairway or rough.

18  
**+7**  
D: 25  
20

A diagram of a golf hole, hole 18, showing an elongated oval-shaped green with a black dot representing the hole. The hole is positioned in the upper center of the green. A small circle at the bottom center of the green indicates the hole's location. The green is surrounded by a grey area representing the fairway or rough.